

## Operation methods

### Cause of issue

Diffuser spray device is not working properly, Product appear as a fault, the user can perform the following maintenance:

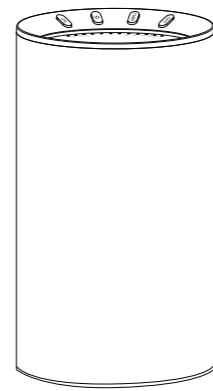
The machine	Make sure the battery has power?	The DC plug into the charging
	Make sure the power supply is connected?	Re-insert the DC plug
Spray or not spray abnormal	Please confirm whether the stones installed glass or loose	Use your finger to tap the spray port, test whether the air injection, if there is no need to re-install the reservoir cup

### Parameter

Size	H12.5*H11.3*D6.8cm
Input/ Output Power	AC 100 ~240V(50/60HZ)/DC5V 1A
Weight	395G
Power cord length	100CM
Power	5W
Raw materials	PP+ Aluminium Alloy
Fitting	Power line/ Manual book

8

## Pure Essential Oil Diffuser User Manual



1

## Operation methods

### 1.1 Take out off the spray nozzle when it is power off.

“Power” button:

Turn on machine (long press), user can choose H (foggy), L (small fog) two buttons after booting

“ON” button:

Set the start time (user can select 10s, 30s, 60s for working hours)

“TIMER” button:

Set the total intermittent working time

(ON: keep Working, 1h: total intermittent time 1 hour, 2h: intermittent total time 2 hours)

“OFF” button:

Stop time (user can choice 10s, 60s, 120s)

Pressing power button for 3 seconds to starting, the initial state is 10s working, 10s intermittent, and the intensity is H intermittent operation.

At this time, the ON button 10s light up, the power button H light is on, the timer button ON light is on, and the OFF button 10s light is on.

After that, you can adjust the time and other gears buttons according to user’s needs.

Charging: after USB charging, led will turn on red light, then charging starts, Depending on the state of battery charging, there may be differences in charging time. It takes around 3 hours.

Then the red light will be off: the product enters the standby state.

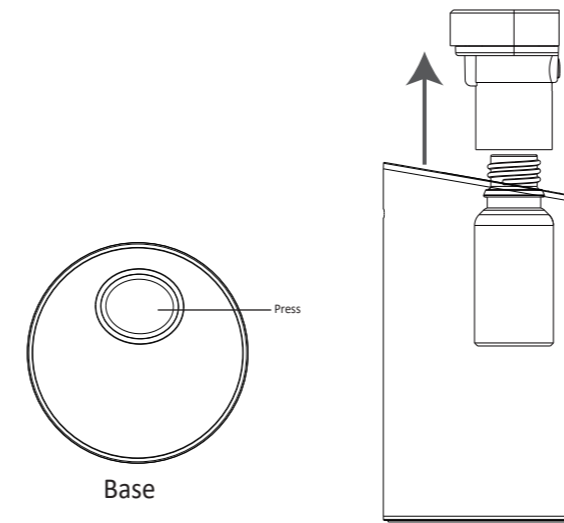
(Battery 2200mA) When the machine is running out of low voltage, the LED red light flashes 5 times (about 10S) to shut down; the machine is on standby.

When it shows low battery, the power indicator turns red flashing; need to charge as soon as possible.

2

## Operation methods

### Operating



7

## Operation methods

### 2.1.Maintenance

5-6 times per use or 3-5 days, please clean up the product in the following manner:

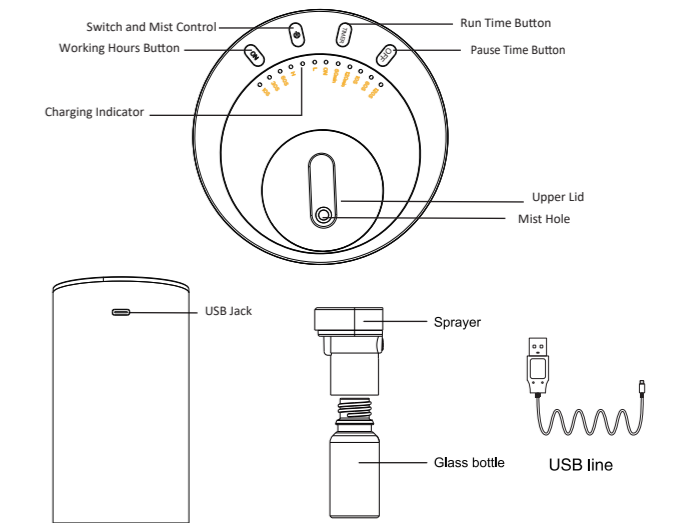
1. Switch off the machine and unplug the power cord, remove the cover.
2. The internal reservoir cup is poured the remaining oil.
3. First a small amount of detergent into the warm kitchen diluted, and then wipe cloth machine.
4. For the replacement of another taste of oil, please clean curette storage device.
5. Maintenance, do not use alcohol, otherwise it will damage the machine or erase a variety of logos on the machine.

Note: Do not use a neutral detergent will.

3

## Operation methods

### Name Of The Part



6

## Operation methods

### Precautions

1. Pay attention to the strength of the mist. Different kinds of oil, humidity, temperature and airstream in the room will affect the mist. It is normal when there is a little discrepancy.
2. This machine applies only to natural essential oils, if they contain chemical ingredients, spices or impurities may cause Damage to the machine.
3. Do not use wet hands to insert or unplug the power cord, could easily lead to electric shock
4. Do not damage the power cord. A damaged power cord may cause a short circuit and open circuit, etc., easily lead to electric shock. Fire.
5. Do not puncture, twist, stretch it vigorously, not heavy pressing power cord, or put high temperature.
6. Do not exceed the amount of the value of using the socket and connected devices, the excess value may burn.
7. Do not disassemble, repair or seal of the machine for repair, please contact the sales office machines.
8. Do not heat, humidity, water, places to use. may be due to leakage, electric shock and cause an accident.
9. The machine should be placed on a flat surface, not on the carpets, rugs, or unstable places.

4

## Operation methods

### Precautions

10. Do not place clothing, cloth or curtains to block the machine inlet and exhaust ports, poor air circulation may lead to Machine heat or fire.
11. If this body residual water stains or refined oil, wipe it dry and used in a dry state.
12. Do not use cleaners containing chlorine or maintenance of machinery and the add component may produce toxic gas cleaner. A health hazard.
13. Avoid direct sunlight should be placed according to the exit, near the air conditioner, fan or heat.
14. Should be placed out of reach of children, and the right to teach children not to play with the machine.
15. This machine is not suitable for children and those who lack knowledge of product use.
16. Replace the oil before or knocked over another machine, please follow the maintenance instructions processing machines.

5